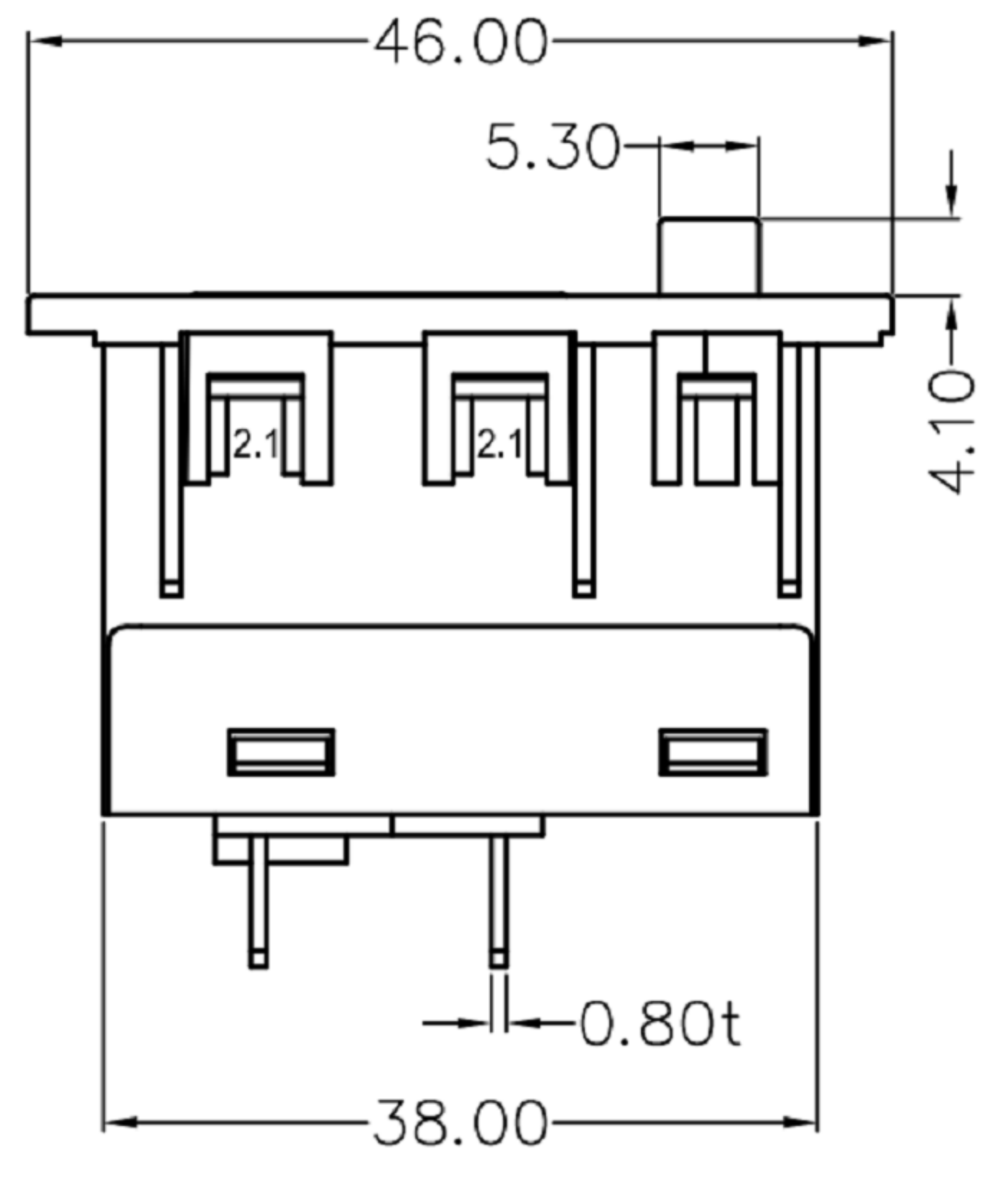
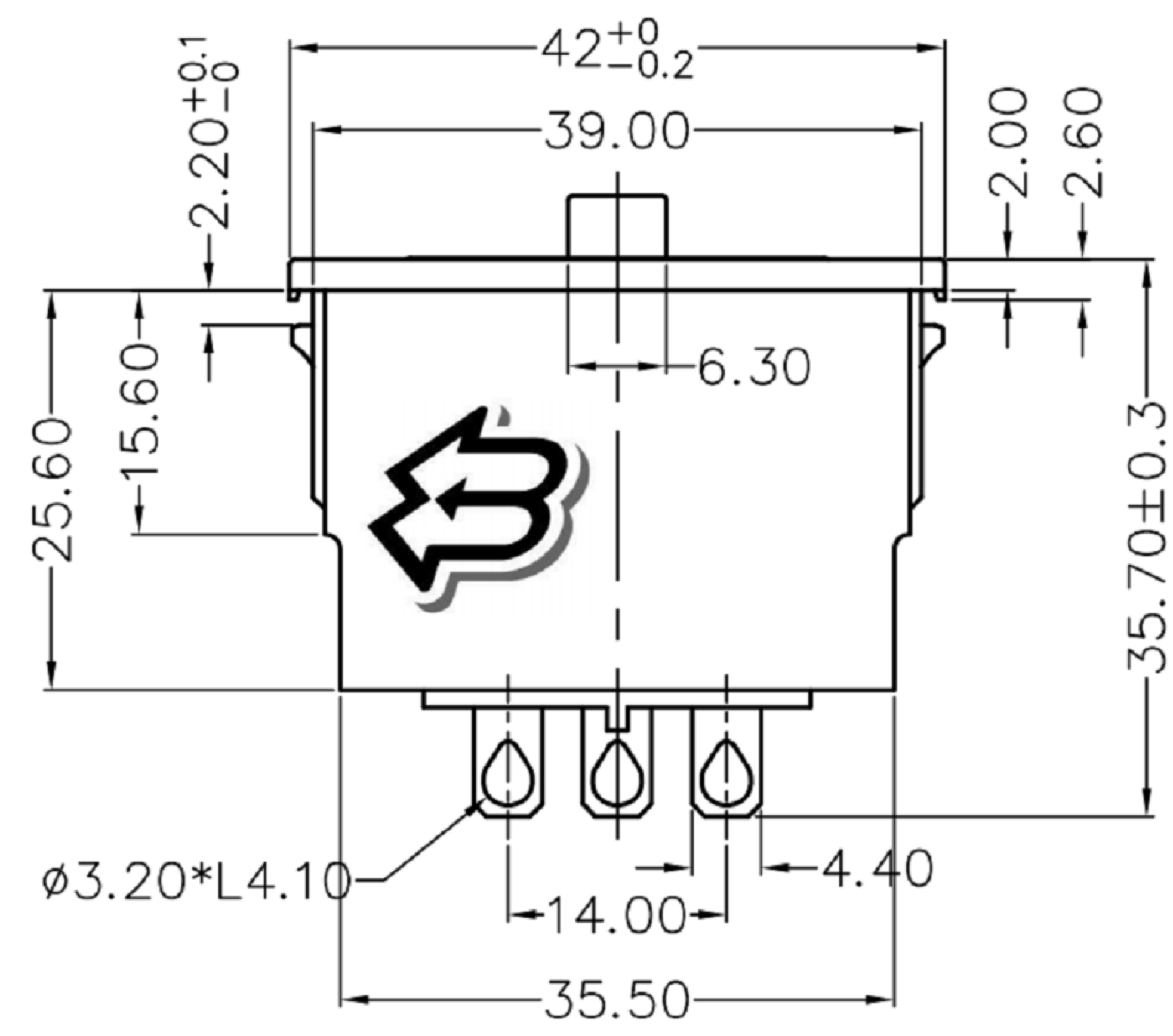
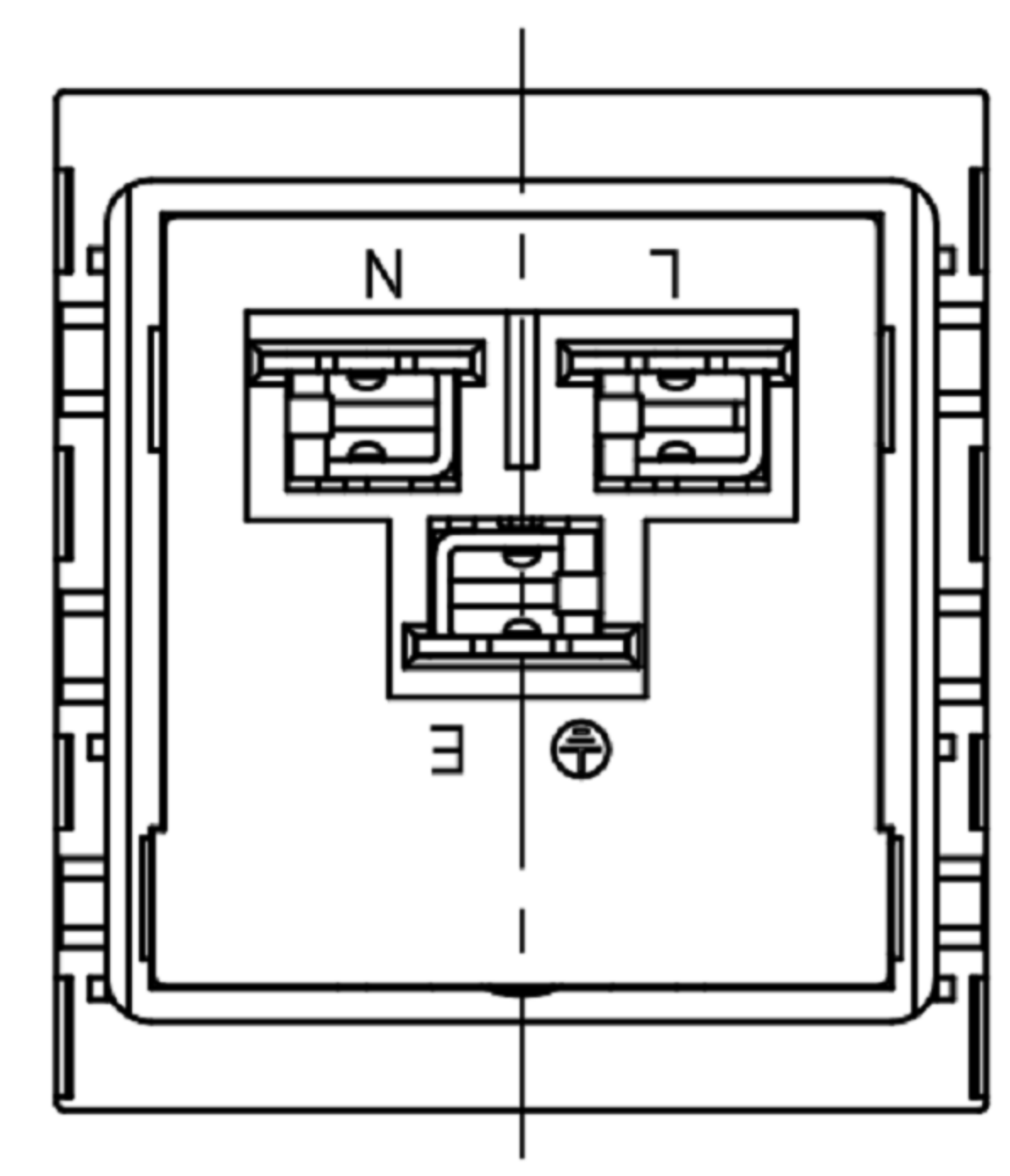


PANEL CUT-OUT



**SPECIFICATION**

A: MATERIAL:

- 1.HOUSING & COVER: PC(BLACK), UL 94V-0
- 2.HANDLE: PC(RED), UL 94V-0
- 3.DOOR: IRON ALLOY, NICKEL PLATED
- 4.TERMINAL: COPPER ALLOY, TIN PLATED
- 5.SPRING: IRON ALLOY, ZINC PLATED

B: CHARACTERISTICS:

- 1. RATING: 16A 250V~ TUV,CCC  
20A 250V~ UL
- 2. INSULATION RESISTANCE: 100MΩ MIN, AT 500V DC
- 3. ELECTRIC STRENGTH: AC 2000V FOR ONE MINUTE
- 4. PREVENT SHEDDING FORCE: 10KG MIN.

C: APPROVALS:

UL, CUL, TUV & CCC

 東莞市高迪電子有限公司  
DONG GUAN GAO DI ELECTRONICS CO., LTD

TOLERANCE UNLESS OTHERWISE STATED:  
 Up to 5 ±0.2  
 Above 5 ~ 15 ±0.3  
 Above 15 ~ 30 ±0.4  
 Above 30 ~ 50 ±0.5  
 Angle ±0.3°

3RD. ANGEL'S

UNITS MM

DRAWN BY:	DATE	MAT'L	TITLE	SWITCH
Ming Ming Zou	10/31/13			
CHECKED BY:	DATE	FINISH	MODLE	AC POWER SOCKET
Ning Ning Su	10/31/13			
APPROVED BY:	DATE	SCALE	DWG NO.	GD-GD-BT-19-1AB-S2
Jia Xiang	10/31/13	1:1		
SHEET NO.	1 of 1	PART NO.		

ITEM NO.	DESCRIPTION	DRAWN	DATE